



INSTALLER AND OWNER GUIDE

Model 850

ELECTRIC HEATER

Fitted with a **Bauhaus** fascia.

(GC No. EF-032-41)

This guide is intended to help you install and care for your Wonderfire Premier electric heater. Please read carefully before installing and using your heater. However, if further information is required, our **Wonderfire Premier Technical Helpline** will be pleased to help. Telephone **0844 8711 554** (National call rates apply in the United Kingdom).
In the Republic of Ireland
Telephone **0044 844 8711 554**.



Important: Please keep your guide in a safe place for future reference.

INSTALLER AND OWNER GUIDE

© Baxi Heating U.K. Limited 2011.

All rights reserved. No part of this publication may be reproduced in any material form (including photocopying), stored in any medium by electronic means (including in any retrieval system or database) or transmitted, in any form or by any means, whether electronic, mechanical, recording or otherwise, without the prior written permission of the copyright owner.

Applications for the copyright owner's permission to reproduce any part of this publication should be made, giving details of the proposed use, to the following address: The Company Secretary, Brooks House, Coventry Road, Warwick, CV34 4LL

Warning: Any person who does any unauthorised act in relation to a copyright work may be liable to criminal prosecution and civil claims for damages.



Wonderfire Premier, Wood Lane, Erdington, Birmingham B24 9QP
www.wonderfire.co.uk

Because our policy is one of constant development and improvement, details may vary slightly from those given in this publication

INSTALLER AND OWNER GUIDE

Safety First.

Wonderfire Premier heaters are CE Approved and designed to meet the appropriate British Standards and Safety Marks.



Quality and Excellence.

All Wonderfire Premier heaters are manufactured to the highest standards of quality and excellence and are manufactured under a BS EN ISO 9001 quality system accepted by the British Standards Institute.



CUSTOMER CARE

Thank you for choosing Wonderfire Premier

All Wonderfire Premier heaters are designed to meet the most stringent quality, performance and safety requirements to provide our customers with many years of trouble free service. This guide aims to improve your understanding and appreciation of your new Wonderfire Premier heater, by providing simple and informative instructions to enable you to install it and to ensure that you benefit from the excellent performance and features it has to offer.

If you require further assistance, the **Wonderfire Premier Technical Helpline** will be pleased to help.

Please telephone **0844 8711 554** (local rates apply in the United Kingdom). In the Republic of Ireland please telephone **0044 844 8711 554**.

INSTALLER AND OWNER GUIDE

1. HANDLING AND UNPACKING

Before continuing any further with the installation of this heater please read the following:

Important instructions.

- The approximate lifting weight (kg) of the heater parts are listed below:

| <u>Model</u> | <u>Heat engine</u> | <u>Fascia</u> | <u>Spacer</u> |
|--------------|--------------------|---------------|---------------|
| Bauhaus | 7.14 | 6.21 | 1.0* |

An optional spacer frame kit is obtainable either from your heater supplier or direct from Wonderfire Premier Sales. The kit is an 75mm deep spacer kit (Kit number 05801T1). This spacer enables the heater to be flat wall fixed.

- One person should be sufficient to lift the heater. If for any reason this weight is considered too heavy then obtain assistance.
- When lifting always keep your back straight. Bend your legs and not your back.
- Avoid twisting at the waist. It is better to reposition your feet.
- Avoid upper body / top heavy bending. Always bend from the knees rather than the waist. Do not lean forward or sideways whilst handling the heater.
- Always grip with the palm of the hand. Do not use the tips of fingers for support.
- Always keep the heater as close to the body as possible. This will minimise the cantilever action.
- Use gloves to provide additional grip.
- Always use assistance if required.

2. SAFETY

This appliance is not intended for use by persons (including children) with reduced physical, sensory or mental capabilities, or lack of experience and knowledge, unless they have been given supervision or instruction concerning use of the appliance by a person responsible for their safety.

Children should be supervised to ensure that they do not play with the appliance.

Always

- **Always** install the heater in accordance with this guide. If in doubt obtain expert advice.
- **Always** make sure the electrical socket is accessible and located adjacent to, but not above or behind the heater.
- **Always** disconnect the heater from the electrical supply before carrying out cleaning or maintenance.

INSTALLER AND OWNER GUIDE

- **Always** ensure that the electrical supply is OFF before removing the mains cable from the rear of the heater.
- **Always** use a fireguard when young children and infirm persons can come into contact with the heater.
- **Always** use genuine Wonderfire Premier spares.

Never

- **Never** leave children unsupervised in a room where the heater is ON and unguarded.
- **Never** use the heater in a small room when occupied by persons not able to leave the room by themselves unless constantly supervised.
- **Never** obstruct or cover the fan outlet or force items into heater openings.
- **Never** install or use the heater anywhere where water is in use, i.e. Bathrooms, Kitchens, Shower Rooms and Swimming Pools etc.
- **Never** use aerosols or steam cleaners on or around the heater.
- **Never** route the electric cable under carpet etc.
- **Never** install the heater close to curtains or combustible materials.
- **Never** use the heater to dry clothes etc.
- **Never** sit or stand on the heater.
- **Never** use the heater with a timer switch or similar device.

Important Electrical Safety.

The heater must **not** be located in front of or under an electrical socket; the socket must always be accessible in order to disconnect the heater from the electrical supply for maintenance and cleaning.

CAUTION: In order to avoid a hazard due to inadvertent resetting of the thermal cut out, this appliance must **not** be supplied through an external switching device, such as a timer, or connected to a circuit that is regularly switched on and off by the utility.

Important! This heater must be earthed.

- The heater is supplied with a 3 pin 13 Amp fused plug with 1mm² 3 core cable.
- The wires in the cable are coloured in accordance with the following code:-
 - Live = Brown
 - Neutral = Blue
 - Earth = Green /Yellow
- The electric supply must be safely routed from the heater to an electrical socket. If the electric cable is damaged, to avoid a hazard it must be replaced by a Wonderfire Premier authorised service agent, or similarly qualified person (See page 20 for contact numbers). All external wiring between the heater and the electrical supply shall comply with current IEE regulations. Extension leads should not be used.

INSTALLER AND OWNER GUIDE

3. OPTIONAL SPACER FRAME KIT

The following kit is obtainable either from your heater supplier or direct from Wonderfire Premier Sales.

Spacer frame kit 05801T1.

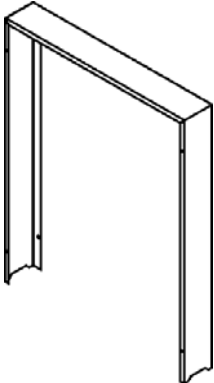

| Contents | Quantity | (Illustrations are not to scale) |
|--------------------------------|----------|--|
| 75mm deep Spacer frame | 1 |  |
| No 8 x 3/8 Self-tapping screws | 4 |  |

Figure 1.

4. FITTING THE HEATER

Important: Before continuing with the installation of this heater please ensure that you have completed the information on the last page of this guide.

Please read this section thoroughly before positioning the heater.

Do I need any tools?

Depending upon the chosen method of installation you may need the following tools: -

- For Spacer frame or screw fixed installations you will need a **Pozidrive / Phillips / cross head screwdriver**. This should have a number 2 size tip.
- If wire fixing and drilling into brickwork you will need a power drill (preferably with hammer action) and appropriate size drill bit for the wall plugs supplied.

Where and how can you fit the heater?

Q Can the heater be installed into a 'hole in the wall' (elevated opening)?

A We do not recommend the heater for this type of installation.

Q Do you want to fit the heater into a surround or fireplace opening without the optional spacer frame?

A The minimum rebate / depth required is 70mm.

INSTALLER AND OWNER GUIDE

Q What opening size do you need in the surround or fireplace opening?

A This heater can be fitted into fireplaces or surrounds where the following dimensions are available.

Width 395mm - 450 mm
Height 555mm - 590 mm
Depth At least 70mm

Q Do you want to fit the heater against a flat wall with the base of the heater on a hearth or similar surface?

A You will need to purchase the optional spacer frame kit (kit number 05801T1). This spacer enables the heater to be flat wall fixed. The depth of the spacer frame is 75mm.

Q Do you want to fit the heater below a shelf, mantle or similar?

A You will have to allow the clearances as shown below:

The minimum height from the base of the heater to the underside of any shelf made from wood or other combustible materials is detailed below.

- For a shelf up to 150mm deep: Minimum height = 700mm.
- For a shelf deeper than 150mm: 700mm + 12.5mm for every 25mm depth over 150mm (See Figure 2).

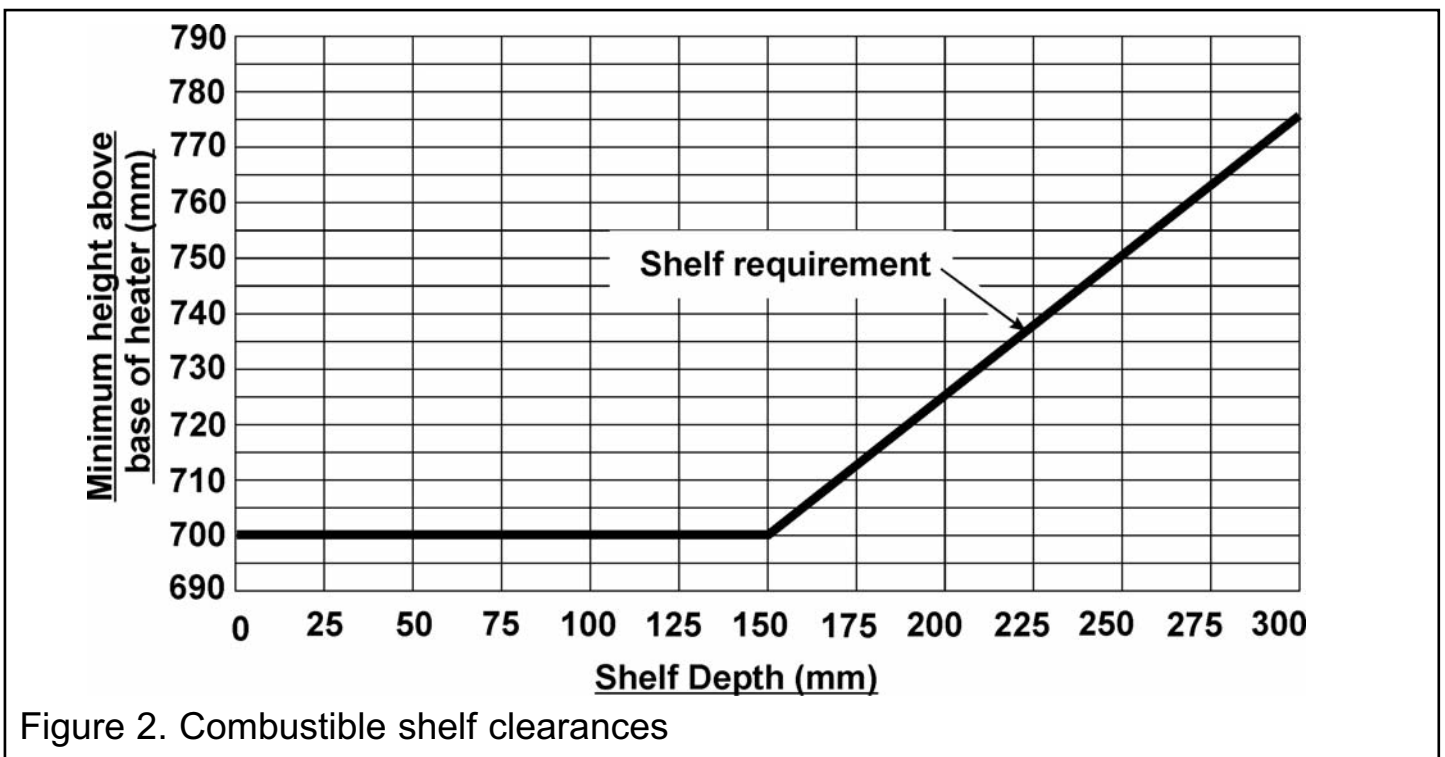


Figure 2. Combustible shelf clearances

INSTALLER AND OWNER GUIDE

General notes to read before fitting your heater.

- If fitting the heater onto a reflective or shiny surface such as a hearth we recommend that this surface does not extend further than 300mm from the fixing plane (wall). Reflective or shiny surfaces that project further than 300mm may reflect an image of the internal light source.
- When the fuel effect is on, it will be possible to see reflected light and movement behind the outlet louvre at the top of the heater.

Securing the heater.

The contents have been identified in figure 3 (Fascia not shown).

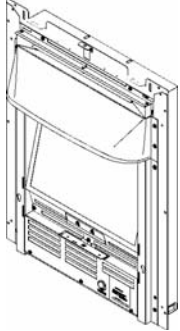

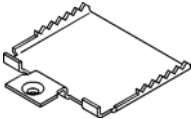




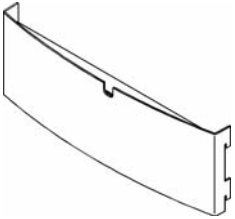



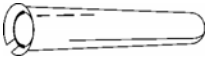
| Contents | Qty. | (Not to scale) | Contents | Qty. | (Not to scale) |
|--------------------------------|------|---|---------------|------|---|
| Heater | 1 |  | 'AAA' Battery | 2 |  |
| Securing clamp | 1 |  | Handset | 1 |  |
| M5 x 40mm Securing clamp screw | 1 |  | Mains cable | 1 |  |
| No.8 x 3/8 pan head screw | 5 |  | Infill trim | 1 |  |
| Tension wire | 1 |  | | | |
| Screweye | 1 |  | | | |
| Wood screw | 5 |  | | | |
| Wall plug | 5 |  | | | |

Figure 3. Contents

INSTALLER AND OWNER GUIDE

Fitting the batteries to the Remote Control Handset.

The remote control handset uses 2 x 1.5V AAA type batteries. For longer battery life use only alkaline batteries. To install the batteries, slide the cover down on the rear of the handset and remove (See figure 4). The polarity of the batteries is marked on the inside of the battery compartment.

If the heater does not respond to the remote control handset commands, it is likely that the batteries are faulty or require replacement.

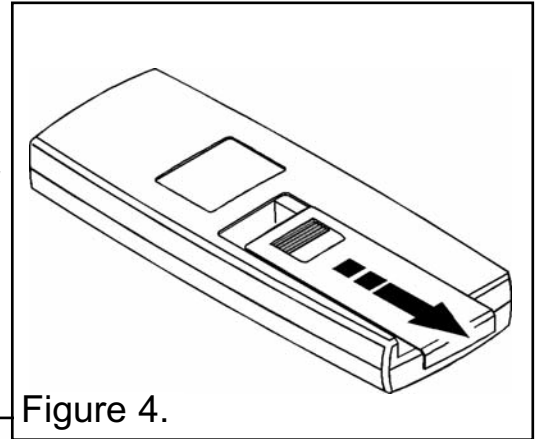


Figure 4.

Fitting the mains cable.

The heater is supplied with a mains cable assembly that should be connected to the heater prior to installation. The heater connector is located at the rear bottom left (See figure 5).

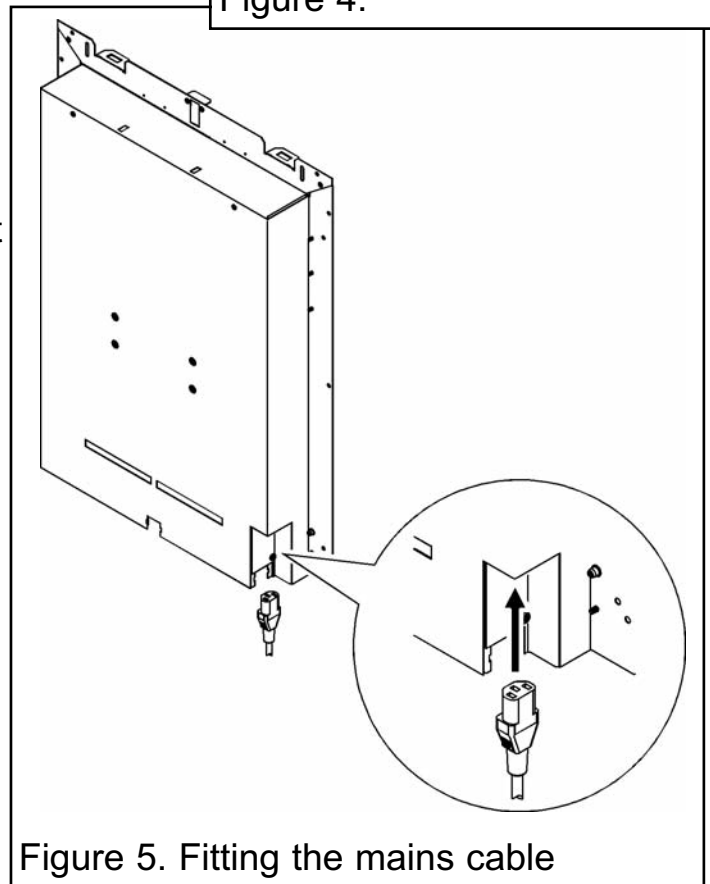


Figure 5. Fitting the mains cable

INSTALLER AND OWNER GUIDE

The mains cable guides.

At the base of the heater you will find two electric cable guides, one each side of the heater. If required, the cable guide on the right hand side (looking from the front of the heater) can be removed and put in the rectangular slot in the centre rear of the heater. For removal and fitting please see the following sections.

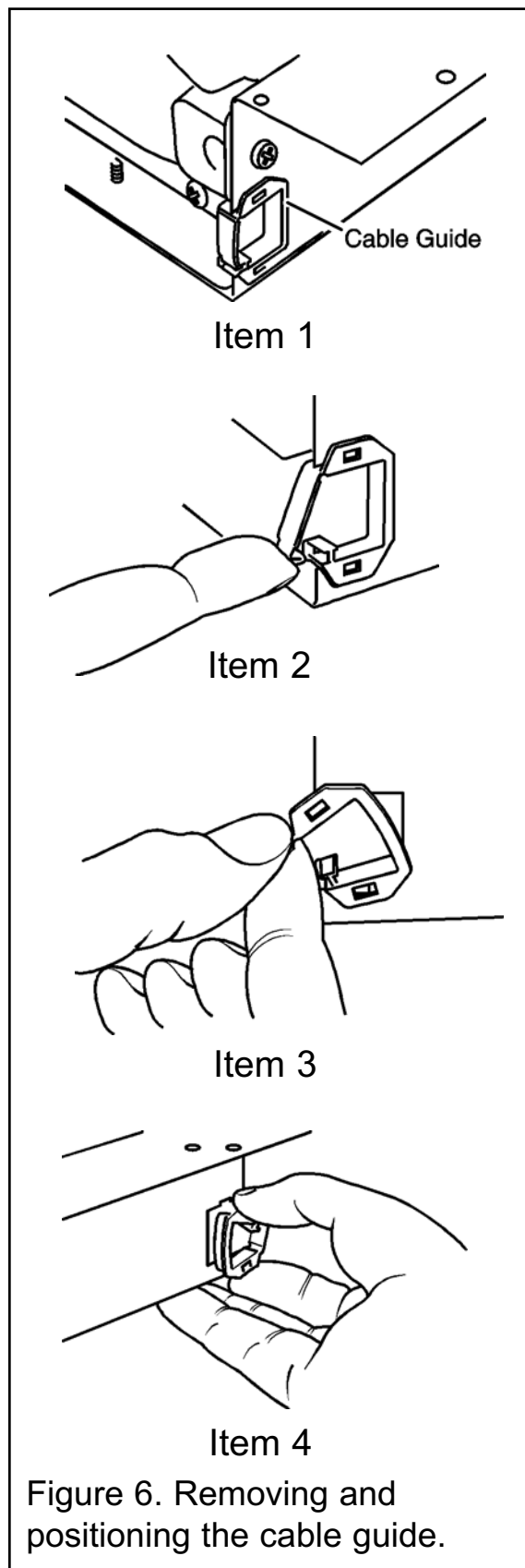
Removing the cable guide.

1. Before removing the cable guide please note that the wider part of the cable guide is on the outer edge of the base (See figure 6- Item 1).
2. To remove the cable guide push and lift the tab on the bottom. The bottom of the cable guide will open (See figure 6- Item 2).
3. Hold the bottom of the cable guide close to the heater then gently pull the cable guide away from the rectangular slot (See figure 6- Item 3).

Fitting the cable guide.

When fitting the cable guide please remember that the wider part of the cable guide has to be fitted against the outer edge of the base (See figure 6- Item 1).

1. Gently pinch the sides of the cable guide (See figure 6 - Item 4) and push the cable guide into the required rectangular slot.
2. Place the electrical cable into the guides and close the top of the cable guides.



INSTALLER AND OWNER GUIDE

The heater must be secured into position to prevent it from being tipped over.

The following securing options are available:

- **Method A** - Securing the heater with **Screws**.
- **Method B** - Securing the heater with **Wire**.
- **Method C** - Securing the heater using the **Optional Spacer Frame** (kit number 05801T1).
- **Method D** - Securing the heater using the **Securing clamp**.

If fitting the heater into a fireplace or surround opening, try the heater in the opening to ensure that it will fit.

Never hold the hood / canopy on the front of the heater when lifting.

If fitting the heater onto a decorative hearth surface such as marble or tile it is advisable to protect the hearth surface. Do not drag the heater as the surface finish may be damaged.

Method A - Securing with screws.

Note - If fixing to marble it is recommended that Method B - 'Securing with wire' is used. Drilling marble without the correct tools and experience may result in the marble cracking.

1. Place the heater into the fireplace or surround opening. Make sure that the heater is in the middle of the surround or fireplace.
2. There are two slotted holes in the top of the heater and four holes in the side flanges (See figure 7). We recommend the use of two upper holes and two lower holes. Mark through the required holes so that their position is clear when the heater is removed.
3. Remove the heater.
4. Drill an appropriate size hole in each of the marked positions for the wall plugs supplied. Insert wall plugs into the drilled holes.
5. Place the heater so that the holes are in line with the wall plugs in the fixing surface.
6. Screw and secure the heater with four wood screws (See figure 3).

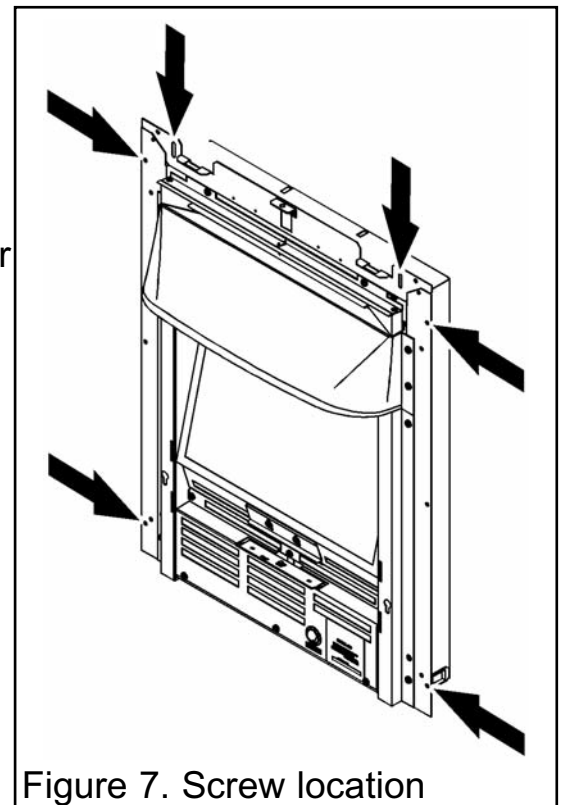


Figure 7. Screw location

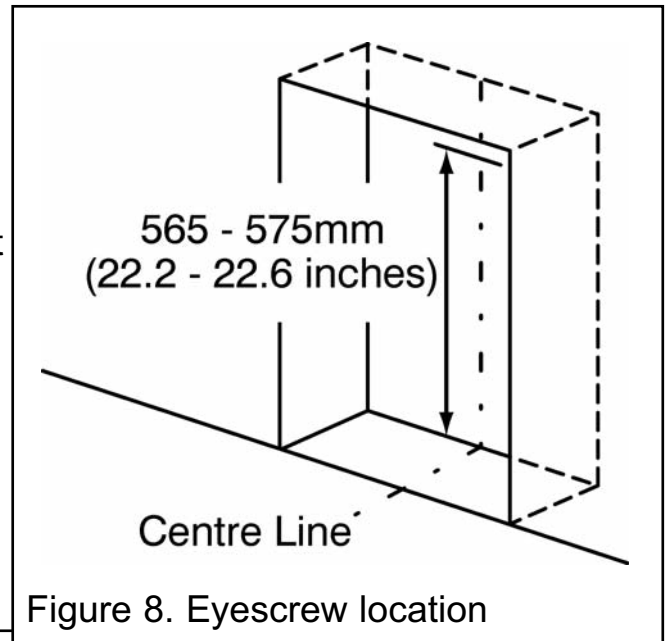
INSTALLER AND OWNER GUIDE

Method B - Securing with wire.

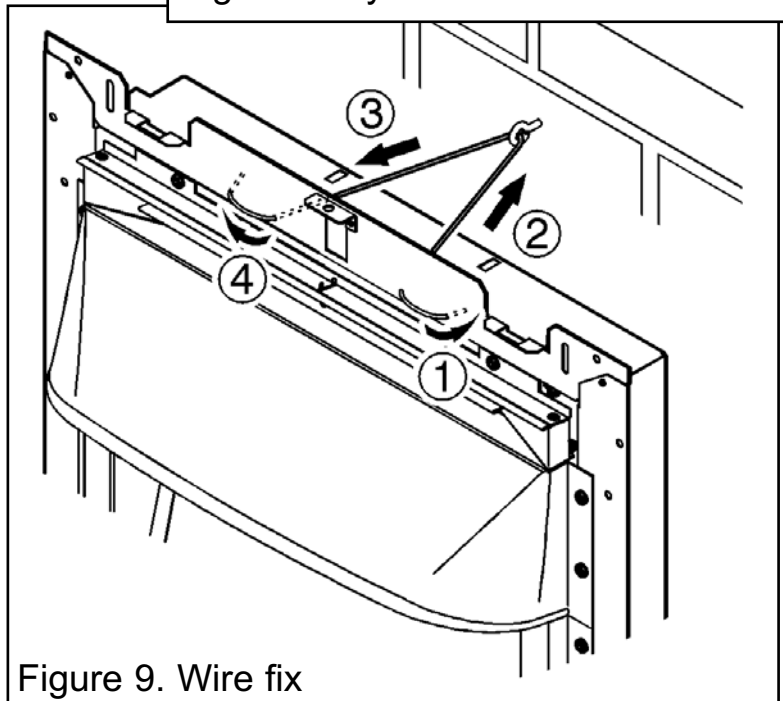
This method of securing is recommended where the wall / brickwork is in poor condition or where marble back panels / surrounds are used.

Although this section deals with fireplace openings without a spacer, this method of securing the heater it can also be used with the optional spacer frame (See method C).

1. The fixing kit supplied with the heater includes a wire and eyescrew. These can be used to secure the heater to the back of a surround / fireplace opening.
2. Mark the eyescrew position on the centre line at the back of the fireplace opening and at a height of 565-575mm (See figure 8).
3. Drill an appropriate size hole in the marked position.
4. Insert a wall plug into the drilled hole.
5. Screw the eyescrew into the wall plug.
6. Position the heater in front of the fireplace opening.
7. At the top of the heater there are four small holes, two each side of the heater.



8. From the front of the heater, thread about 50mm of the wire into the outside small hole on the right side of the heater (See point 1 - figure 9).
9. Thread the other end of the wire through the remaining small hole to the left. Continue to push the wire through this hole until there is only a small loop of wire at the front of the heater (See point 2 - figure 9).
10. At the back of the heater there will be a long piece and a short piece of wire coming through the two holes. Hold the short piece and give the long piece a gentle tug. This will



secure the wire. Take the long piece and thread this through the eyescrew in the back of the fireplace opening (See figure 9).

11. From the back of the heater thread the long piece of wire through the inner small hole on the left hand side of the heater (See figure 9).

11. Locate the heater in the fireplace opening, then from the front of the heater, gently

INSTALLER AND OWNER GUIDE

pull the wire on the right hand side to gather up the excess until the heater is secure. Thread the wire through the remaining small hole to lock the wire and heater in place (See point 4 - figure 9).

Method C - Securing with the Optional Spacer Frame.

The spacer frame enables the heater to be flat wall fixed. For your safety the frame and heater must be securely fixed to the rear wall / surround.

Fitting the spacer frame

The rear of the spacer has two screw location slots in the top flange. These should be to the rear when fitting.

1. Position the spacer frame against the wall. Ensure that the spacer frame is central to the fireplace.

2. The top rear flange of the spacer frame has two screw locations. Mark the positions of the two screw locations on the rear wall (See figure 10).

3. Remove the spacer frame from the fireplace and place away from the work area.

4. Drill the locations using a suitably sized masonry drill bit for the wall plugs supplied.

5. Insert two wall plugs provided into the holes.

6. Insert a woodscrew into each hole (See figure 3) and screw in until there is approximately 6mm of screw protruding from the wall.

Preparing the heater for installation.

1. Secure the spacer frames to the heater using four No.8 x 3/8 screws supplied (See figures 11 and 1).

Fitting the heater.

1. Carefully lift the heater and locate the slots on the rear of the spacer frame onto the screws in the wall. The screws can be adjusted to ensure a tight fit. When mounting to decorative surfaces such as wallpaper be careful not to drag the heater down the wall as this may damage the decorative surface.

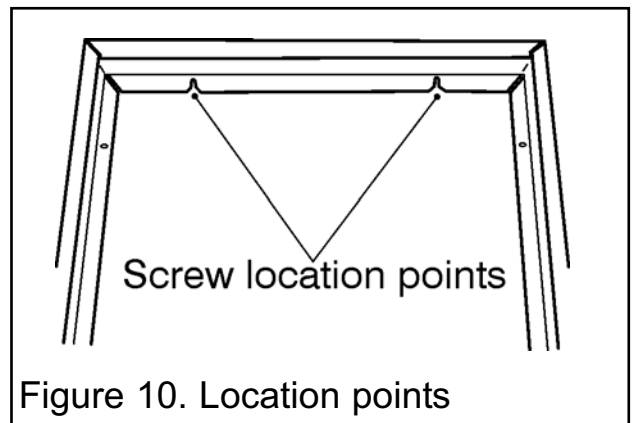


Figure 10. Location points

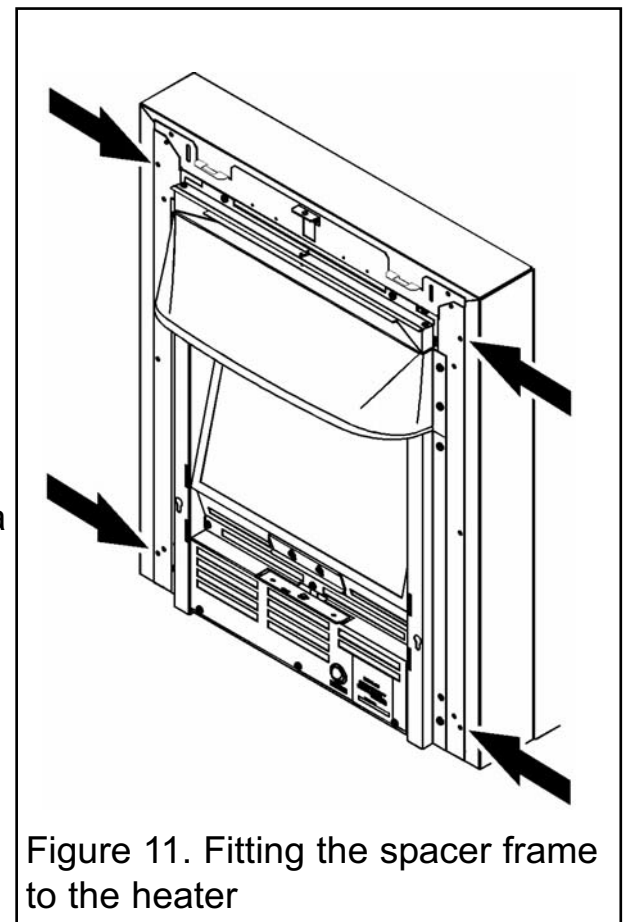


Figure 11. Fitting the spacer frame to the heater

INSTALLER AND OWNER GUIDE

Method D - Securing with the clamp.

This method of securing cannot be used in conjunction with the optional spacer frame. This is an alternative securing method where fixing to a surround or rear wall proves impractical.

1. Locate the clamp as in point 1 of figure 12. Place the screw through the upper bracket on the heater and locate into the clamp - point 2 of figure 12. It is only necessary to locate the screw, do not continue to turn it as this will elevate the clamp.
2. Place the heater into the surround / opening.
3. Rotate the clamp screw clockwise until the heater is secured in the surround / opening. **Where applicable, do not over-tighten the screw as this may deform or cause damage to the surround / back panel.**

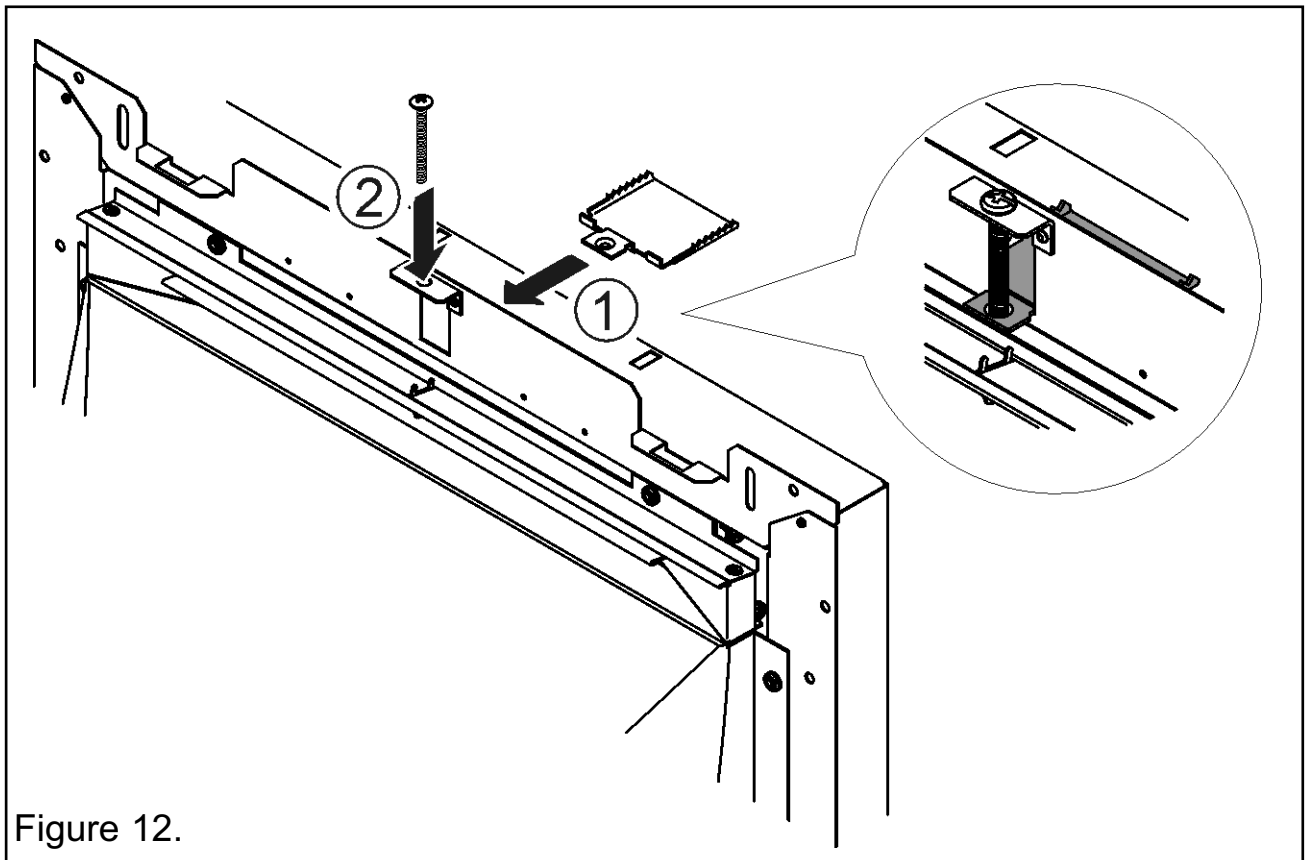


Figure 12.

INSTALLER AND OWNER GUIDE

5. LIGHT SHUTTER ADJUSTMENT

The light shutter is an adjustable plate that increases and decreases the appearance of the flames in the flame effect.

1. Switch on the fuel effect. If you are satisfied with the appearance of the flame effect there is no need to adjust the light shutter.

2. To adjust the light shutter, loosen the two screws then lift the shutter to increase the appearance of the flames or lower it to decrease the appearance of the flames.

3. When you have obtained the required flame appearance, tighten the two screws and secure the shutter in place.

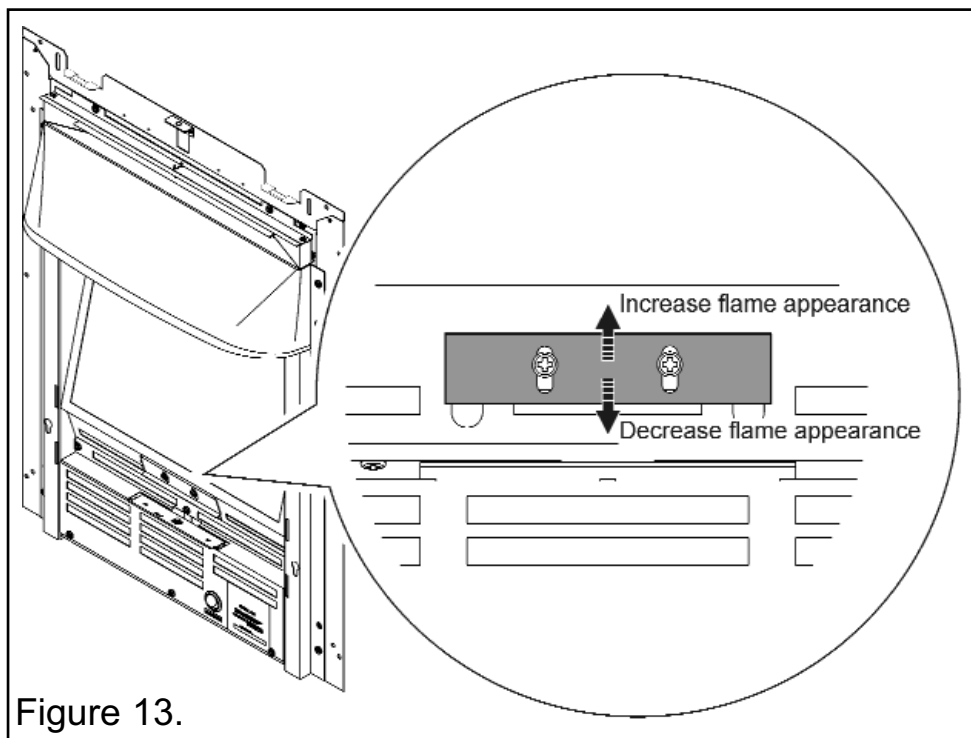


Figure 13.

6. FITTING THE FASCIA

Fitting the infill trim.

1. Remove the infill trim from its packaging.

2. Locate the four tabs on the rear of the infill trim into the four slotted holes in the heater (See figure 14).

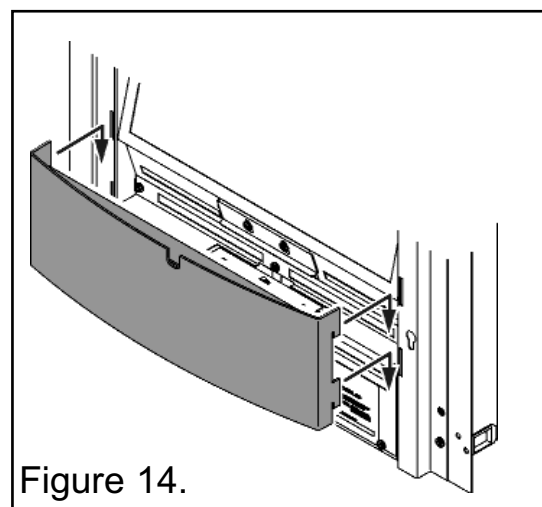


Figure 14.

INSTALLER AND OWNER GUIDE

Fitting the fascia securing magnets.

1. Supplied in the fascia packaging are four magnets. Place the magnets as in figure 15.

Fitting the fascia.

1. Remove the fascia from its packaging.
2. Hold the fascia firmly and locate onto the magnets.

Fitting the firefront.

1. Remove the firefront from its packaging.
2. Locate the firefront in front of the heater ensuring that it is central.
3. Position the ash pan cover beneath the firefront.

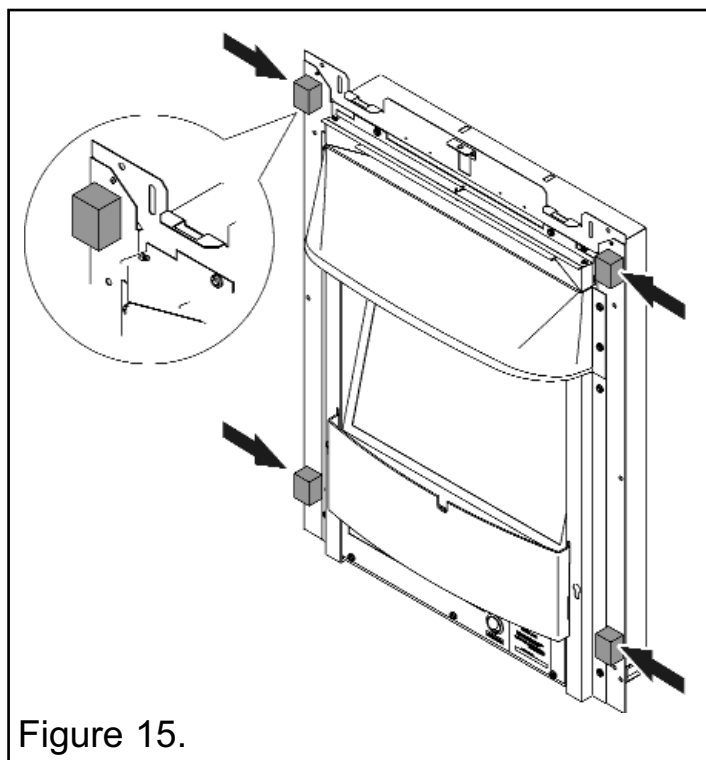


Figure 15.

7. OPERATING THE HEATER

Never cover the heater or obstruct the opening at the base of the heater, this could cause overheating and consequent risk of fire.

The appliance can be controlled by the manual control located behind the ash pan cover on the lower right hand side of the heater or by using the remote control handset.

The heat settings are quoted using a 240V ~ 50Hz supply.

Remote Control - What do the buttons do?

Pressing the red 'ON/OFF' button.

To activate the remote handset it is necessary to press the red ON/OFF button. The status lamp on the heater will turn red (see figure 17).

Pressing the 'EFFECT' button.

This turns the Visualise effect on. The indicator lamp will flash green for approximately five seconds, after this time the lamp will no longer be visible (see figure 17).

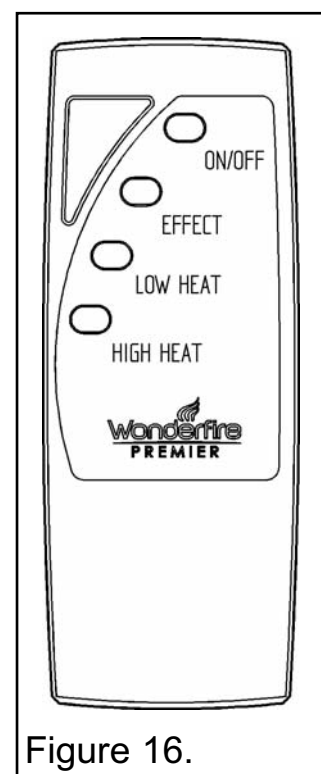


Figure 16.

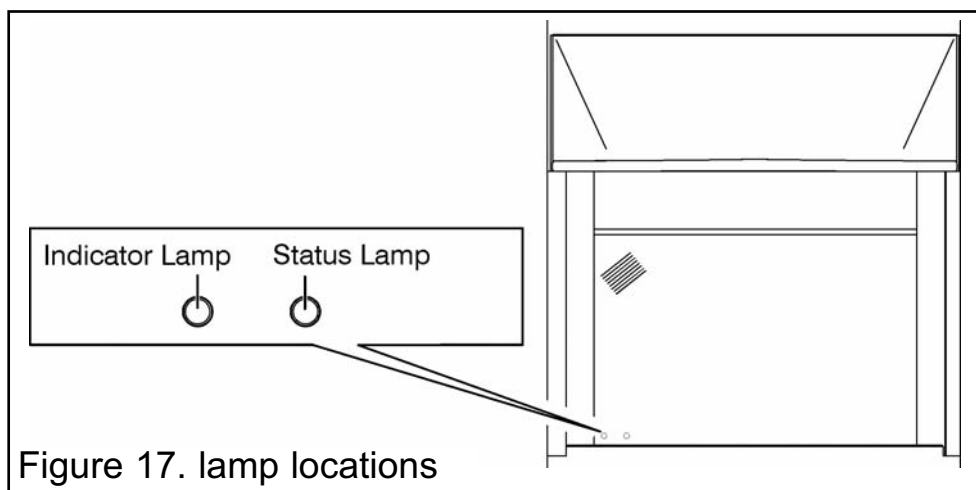


Figure 17. lamp locations

Pressing the 'LOW HEAT' button.

This turns the Visualise effect and 675 watt heater on. The indicator lamp will flash amber for approximately five seconds, after this time the lamp will no longer be visible.

Pressing the 'HIGH HEAT' button.

This turns the Visualise effect and 1350 watt heater on. The indicator lamp will flash red for approximately five seconds, after this time the lamp will no longer be visible.

Pressing the red 'ON/OFF' button.

Pressing this button at any time whilst the Visualise effect and heater are in operation will turn the Visualise effect and heater off.

Manual Control - What is it and why is it there?

The manual control is there as a back up. If the remote control has been damaged, lost, or the batteries lives have expired, the manual control will enable the Visualise effect and heater to be operated. The control is located behind the ash pan cover on the lower right hand side of the heater.

What does the button do?

Press the button once.

This turns the Visualise effect on. The indicator lamp will flash green for approximately five seconds, after this time the lamp will no longer be visible.

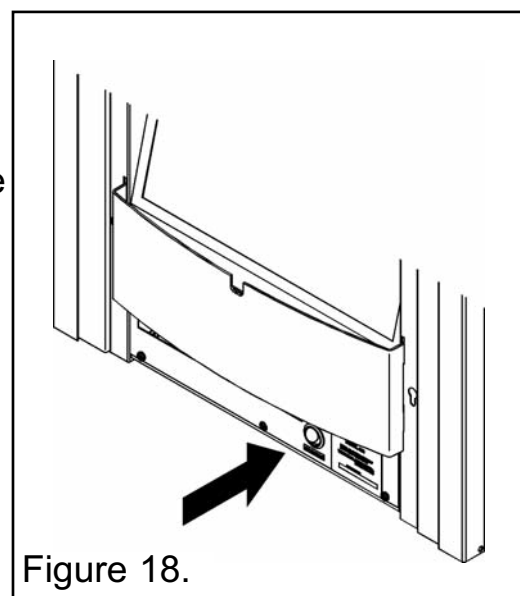


Figure 18.

INSTALLER AND OWNER GUIDE

Press the button a second time.

This will turn the 675 watt heater on. The Visualise effect will already be on. The indicator lamp will flash amber for approximately five seconds, after this time the lamp will no longer be visible.

Press the button a third time.

This will turn the 1350 watt heater on. The Visualise effect will already be on. The indicator lamp will flash red for approximately five seconds, after this time the lamp will no longer be visible.

Press the button a fourth time.

Pressing this button at any time whilst the Visualise effect or heater are in operation will turn the Visualise effect and heater off.

8. CLEANING AND MAINTAINING THE HEATER

Important Safety.

Before undertaking maintenance always disconnect the heater from the electricity supply by removing the 3 pin plug and allowing the heater to cool.

How do I Clean my heater?

The heater and plastic parts need only to be wiped clean with a dry soft cloth; do not use polishes or abrasive materials. This is especially important when cleaning the effects screen.

I have a problem with my heater!

1. My remote control does not work.

The batteries in the remote control handset probably need replacing - See section 4 and figure 4. The heater can be operated manually as on page 17.

2. My heater is switched on but there is no effect or heat.

The first thing to do is check the wall socket. To do this plug in a known working appliance. If the appliance you have plugged in works then there is a good chance that the problem lies with the 13 Amp fuse in the heater plug. If either fuse or socket is suspected, have them checked by an electrician.

3. My heater is on, I have selected a heat setting but there is no heat, just the effect.

A cut out device is fitted to the heater to prevent damage due to over heating. If it operates due to an obstruction in the airflow, the heater must be turned off and allowed to cool for 15 minutes and the obstruction removed before restarting.

INSTALLER AND OWNER GUIDE

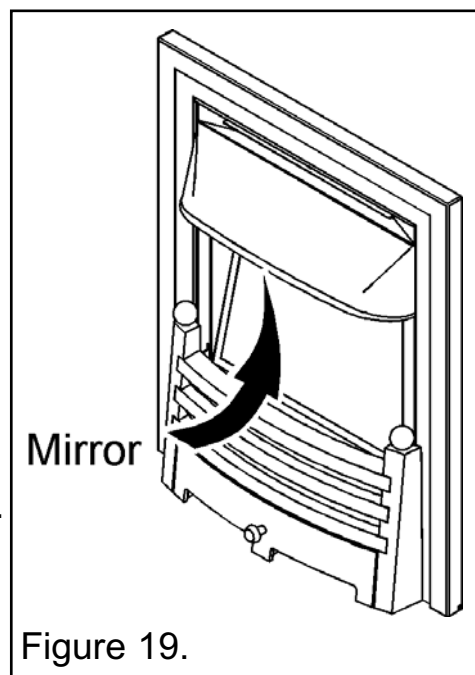
4. I have dark areas in the fuel effect of my heater or the fuel effect is not as bright as it was when new.

There is a mirror fitted to the rear of the hood / canopy at the front of the heater and this may need cleaning. Wipe the mirror with a clean, dry, non abrasive cloth (See figure 19).

5. I have a problem that is different to those in the previous examples 1- 4.

For general advice about your heater, to report faults, arrange for your heater to be serviced, or for sales and product information call 0844 8711 554. Callers in the Republic of Ireland please telephone 0044 844 8711 554. For spares inquiries

Spare parts are available nationwide via the 'interpart stockist network'. For your local stockist consult Yellow pages under 'Central Heating'.



When ordering spare parts please have the below information available. This will help us to deal with your call quicker and avoid you having to make a second call.

- Your Post Code.
- Type of Heater (Electric or gas).
- The fault, problem or request.
- Model, Name and serial number (This information can be found on a small label attached to the lower right of the heater (See figure 20) and should also have been recorded on the last page of this guide.

9. ENVIRONMENT

Environmental Protection.

Waste electrical products should not be disposed of with household waste. Please recycle where facilities exist. Check with your local authority or retailer for recycling advice.

What should I do when I'm ready to dispose of my heater?



Remove the mains cable from the heater. This should be disposed of with the heater.

Information for the customer

Five Year Wonderfire Premier Warranty Terms & Conditions.

To qualify for the five year warranty you will need to register your heater using the Warranty Booklet provided by the Wonderfire Premier Dealer at point of purchase.

If you did not receive a Warranty Booklet please contact your retailer where you purchased the heater. Please note the warranty is for Wonderfire Premier heaters only. If you have not registered your heater you are entitled to the standard 12 months warranty subject to contract.

Our promise to you.

In the unlikely event that you experience a fault with your new heater, our aim is to provide an efficient, safe and quality service supported by our dedicated national network of highly skilled engineers. Nothing in this warranty will affect your statutory rights.

What you need to do if you experience a problem with the operation of the heater:

1. Read the “Cleaning and maintaining the heater” section of this guide and follow the instructions to correct the most common issues.
2. If the problem cannot be resolved simply call our service division **heateam** on **0844 871 1554** to book an engineer visit or for any general advice that you may need. **heateam** is open Monday to Friday 8am – 6pm, weekends and Bank Holidays 8.30am – 2pm, excluding Christmas Day and New Years day.

When calling heateam, it would be helpful if you could have the following information to hand:-

- a. Heater serial number (Located on the information label – See figure 20 on page 22)*.
- b. Date of installation*
- c. Heater make and model number*
- d. Proof of purchase (if you do not have the heater serial number).

*Note: Details a – d should be recorded on pages 22 & 23 at the end of this guide.

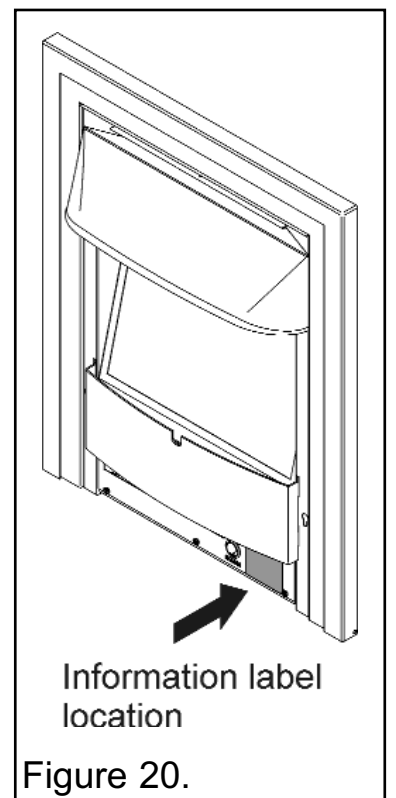
INSTALLER AND OWNER GUIDE

5 Year Warranty Terms & Conditions

1. These terms and conditions are exclusively for the customers of Wonderfire Premier appointed dealers.
2. It is the responsibility of the customer to complete the warranty form to register the appliance with heateam (heateam is the service division of Wonderfire).
3. Responsibility cannot be accepted for registrations lost or delayed in the post. In addition, incomplete registrations will not be accepted.
4. Failure to complete all compulsory sections will result in the warranty not being activated and only the 12 month manufacturers' guarantee being applied.
5. This warranty is non-transferable and is made to the original owner.
6. The heater must only be used for domestic purposes, and this warranty only applies to heaters purchased and used within the UK.
7. The warranty period will be 60 calendar months from the date of purchase.
8. The first 12 months are covered by the standard manufacturers guarantee.
9. During the 48 month warranty period Wonderfire Premier will exchange or repair component[s] proved to be faulty from manufacture provided that such component[s] have been subject to normal conditions of use.
10. If the product is replaced the warranty period is not extended beyond the original period.
11. Wonderfire reserves the right to withdraw this warranty offer at any time.

Exclusions – This warranty DOES NOT COVER:

12. Servicing – servicing and the maintenance of the heater is the sole responsibility of the customer. Costs incurred in servicing and maintaining the heater cannot be recovered from the manufacturer (Wonderfire).
13. Cosmetic blemishes to polished metal and painted surfaces.
14. Heater surrounds and cabinets.
15. The cost of replacing any item or accessory that is intended to be replaceable. These include, but not restricted to: batteries, bulbs, plugs, fuses, decorative fuel effect components, or filters.
16. Heater trims are excluded from the cover.
17. Call out charges where faults are excluded from the warranty.
18. Faults caused by inadequate supply of electricity (where applicable)
19. Wonderfire is not responsible for any damage caused by a third party.
20. Compensation or consequential losses (e.g. loss of earnings, business losses, stress and inconvenience) arising from a product breakdown, including repair delays caused by factors outside of our reasonable control.
21. The warranty is void if:
 - The heater has been operated in atmospheres contaminated by chlorine, fluorine or other damaging chemicals.
 - The heater is subjected to long periods of dampness or condensation within the atmosphere. Any alteration, willful abuse, accident, negligent or misuse of the product. Theft or attempted theft. Natural disaster, explosions, floods, tempests, exceptional weather conditions, fire or accident.



INSTALLER AND OWNER GUIDE

To be completed by the customer:

Model

Serial number (Can be found on the information label - See figure 20)

SERIAL NUMBER LABEL
TO BE AFFIXED HERE

A LABEL CONTAINING THE
SERIAL NUMBER MAY HAVE
BEEN PLACED INSIDE THIS
BOX.

Fascia name (Block Capitals)

Fascia code - Can be found close to the information label (Block Capitals)

FASCIA CODE LABEL
TO BE AFFIXED HERE

A LABEL CONTAINING THE
FASCIA CODE MAY HAVE
BEEN PLACED INSIDE THIS
BOX.

Brand - Wonderfire Premier

Date of Installation

D D M M Y Y

